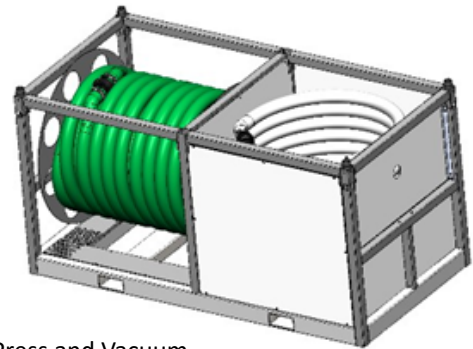


TECHNICAL UNIT POPUP 3, TU30



- Technical Unit for the POP UP3™ vacuumtoilet system;
- CE version;
- Maximum capacity: 10x POP UP3™ Units = 30 vacuumtoilets;
- All electronics housedinwater resistant cabinet;
- All water, waste water and electric connections placed inside theunit;
- Robust unit on a steelgalvanized frame;
- Galvanized steel frame with spooland box for storage and transport for hoses Press and Vacuum and connection material.
- Filtering for clothes and other waste;
- Optional; Remote Control;

Discription	Specification
Article number	7901000
Article	POPUP 3 TECH UNIT 30
Capacity	30 vacuum toilets = 10 POPUP 3 units
Galvanized steel frame, equipped with:	<ul style="list-style-type: none"> • 1x 95MBA Vacuum pump • 1x Water pressure pump • 1x Water buffer tank with filter 180 litres • 1x Electric control unit (400V - 50Hz - 32A) • 1x Frequency controller • 1x Filter unit for filtering waste before entering the vacuum pump • 3x water supply connections to POPUP 3 units with ¼ GK couplings • 3x waste connections with Camlock couplings. 3" • 1x LED worklight with motion sensor • Copper and LDPE connections • Unit covered with canvas covers, elastic bands and hooks for easy acces, laminated plating on the backside for protection against weather and transport
Power consumption	400V - 50Hz - 32A
Weight	1.150 KG
Size	240 x 120 x 120 cm

20200309